

Controller for robots V-controller3

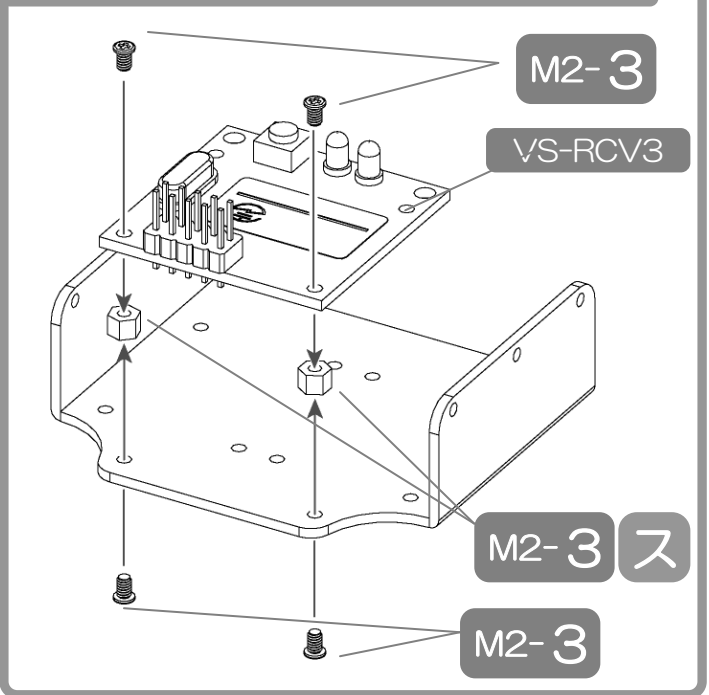
Installation guide

A brand new controller for robots
V-controller 「VS-C3」 is released!



「VS-C3」is different from 「VS-C1」as it can be connected with VS-RC003HV without using game pad converted connector.
Please follow to the following step 4 and step 5 to implement 「VS-C3」 instead of studying chapter 4-4 and 4-5 in the assembly instruction.

4 installation of receiving module



5 connection of receiving module

